

SENSIT[®] VMD

VEHICLE METHANE DETECTOR



Methane Selective | 1.0-1,000 PPM/M Detection Range | Data Log with GPS Coordinates

MADE IN THE USA
WITH GLOBALLY SOURCED COMPONENTS



Innovative Detection Solutions

www.gasleaksensors.com

SENSIT[®] VMD

Conduct mobile leak surveys fast & accurately with the latest infrared technology.

SENSIT[®] VMD is a state-of-the-art vehicle mounted instrument used to detect, grade and map gas leaks along underground pipelines.

SENSIT[®] VMD is among the best performing and lowest cost optical instruments available today!

The instrument detects methane as low as 1ppm, per meter for real-time detection and logging with GPS data compatible with Google Earth.

Turn any vehicle with a front hitch into a survey instrument!

SENSIT[®] VMD is

- Accurate
- Durable
- Easy to Use
- Easy to Maintain



Find Gas Leaks Fast!

Standard Features

- Methane Selective
- Instantaneous response time
- No cables through vehicle firewall
- Data transmission via Bluetooth
- Simple user interface
- Waterproof tablet computer
- Adjustable visual and audible alarms
- Integrates with SENSIT PMD vacuum system
- Lowest cost of ownership



Displays:

- Gas Concentrations
- System Status
- GPS Location
- Detection Alarms

Other:

Simple 2 inch front mount hitch for fast set-up.



Any vehicle with front mount receiver and 12 VDC power outlet/connection can become a survey vehicle in minutes.

Variable length detector system can be fitted to any vehicle specification.



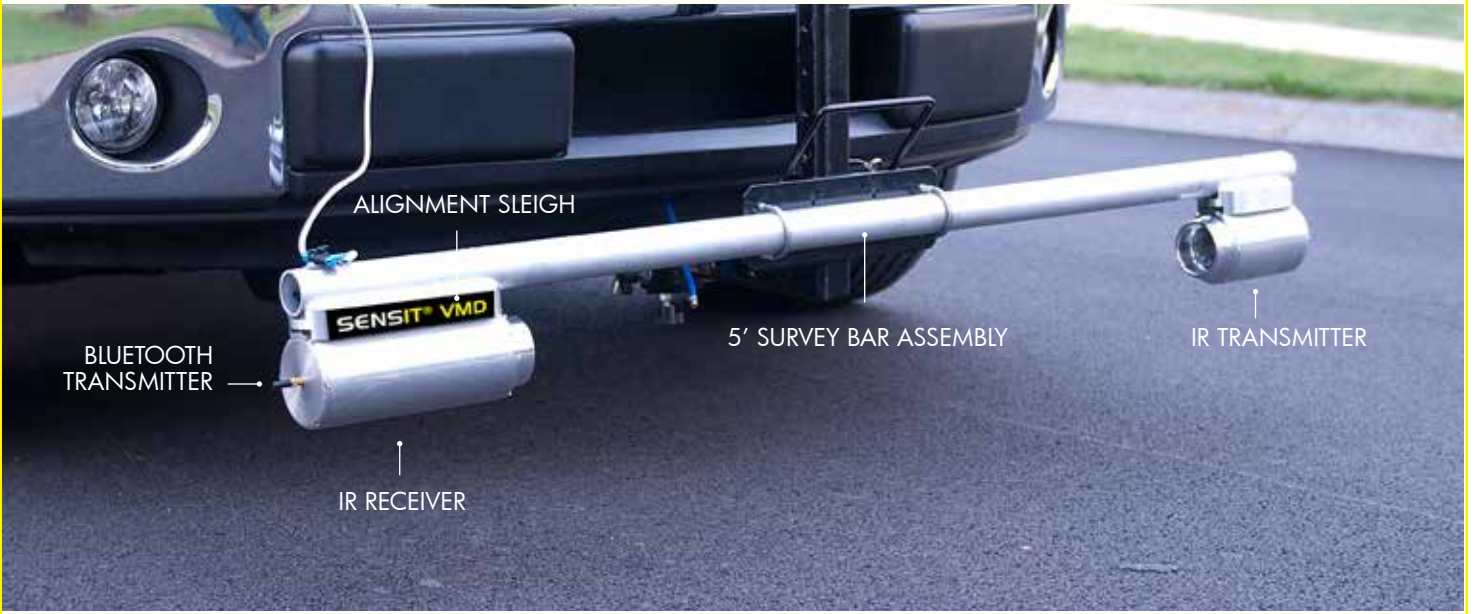
Ready for road and off-road surveys.



Designed for easy installation and portability.



Adjustable height for safe driving speeds.



SENSOR SPECIFICATIONS

TYPE	RESOLUTION	RANGE	ACCURACY
PPM*	0.1ppm	1.0-1000 PPM /Meter	±10% 2ppm-m

*Measurements conducted at 25 mph

STANDARD KIT

- 5 Ft. Survey Bar Assembly with Transmitter and Receiver
- Tablet PC
- Bluetooth Interface
- GPS Interface
- Calibration Cell

OPTIONAL FEATURES

- VMD Vehicle Mounting Kit
- VMD Shield
- PMD Vacuum Kit
- PMD Vacuum System



VMD Shield



Vehicle Mount Vacuum + Optical Systems

PRODUCT SPECIFICATIONS

- Size: 4 ft. to 8 ft. path length (5 ft. Standard)
- Weather Resistance: IP 54
- Operational Temp: -22 to 122° F (-30 to 50° C)
- Power Requirement: 12-16 VDC / 60w

SENSIT® VMD Instrument

SENSIT VMD Part #928-00000-05

Included: 5 Ft. (Standard) Survey Bar Assembly with Transmitter and Receiver, Tablet PC, Tablet Mounting Kit, Bluetooth Interface, GPS Interface, Calibration Cell

SENSIT VMD SYSTEM Part #928-00000-50

Included: Vehicle Mounting Kit, VMD Shield, 5 Ft. (Standard) Survey Bar Assembly with Transmitter and Receiver, Tablet PC, Tablet Mounting Kit, Bluetooth Interface, GPS Interface, Calibration Cell

SENSIT® VMD Parts

5 Ft. Survey Bar Assembly Part #882-00105

IR Transmitter Assembly Part #882-00090

IR Receiver Assembly Part #882-00084

Bluetooth Antenna for VMD IR Transmitter Part #360-00446

VMD Tablet PC Part #360-00395

Bluetooth Antenna for VMD Tablet Part #360-00482

GPS Antenna for VMD Tablet PC Part #360-00471

VMD Tablet PC Mount Kit Part #870-00074

VMD Tablet PC Mount Base w/2" Ball & Clamps Part #360-00473

VMD Tablet PC Mount Arm Part #360-00474

VMD Tablet PC Mount Plate Part #360-00475

VMD Calibration Cell Part #882-00092-SN

VMD Shield Part #870-00076

Instruction Manual Part #750-00064

Survey Bar Lengths

4 Ft. Survey Bar Assembly Part #882-00104

5 Ft. Survey Bar Assembly Part #882-00105

6 Ft. Survey Bar Assembly Part #882-00106

7 Ft. Survey Bar Assembly Part #882-00107

8 Ft. Survey Bar Assembly Part #882-00108

Vehicle Mounting Kit

VMD Vehicle Mounting Kit Part #870-00052

Included: Bar Bracket, L Bracket, Jam Bolt, Hitch Pin, Hitch Stabilizer
(For use with 2 inch front mount hitch, not included)

Mounting Kit Parts

Bar Bracket Part #360-00428

L Bracket Part #360-00427

Jam Bolt Part #360-00426

Hitch Pin Part #330-00078

Hitch Stabilizer Part #360-00429

PMD Vacuum Mounting Kit

PMD Sampling Bar Assembly 2" Boots Part #870-00059

Included: Bar, Cones, Tubing
(For use with PMD. PMD, External Pump, Floor Mount Bracket not included)

Vehicle Vacuum System Part #870-00057

Included: Bar, Cones, Tubing, External Pump, Floor Mount Bracket
(For use with PMD. PMD not included)



851 Transport Drive
Valparaiso, IN 46383-8432

Phone: 888 4SENSIT
888 473 6748
219 465 2700

Fax: 219 465 2701
www.gasleaksensors.com

MADE IN THE USA
WITH GLOBALLY SOURCED COMPONENTS

SENSIT Technologies
is an ISO 9001:2015 certified company.



Distributed by:

